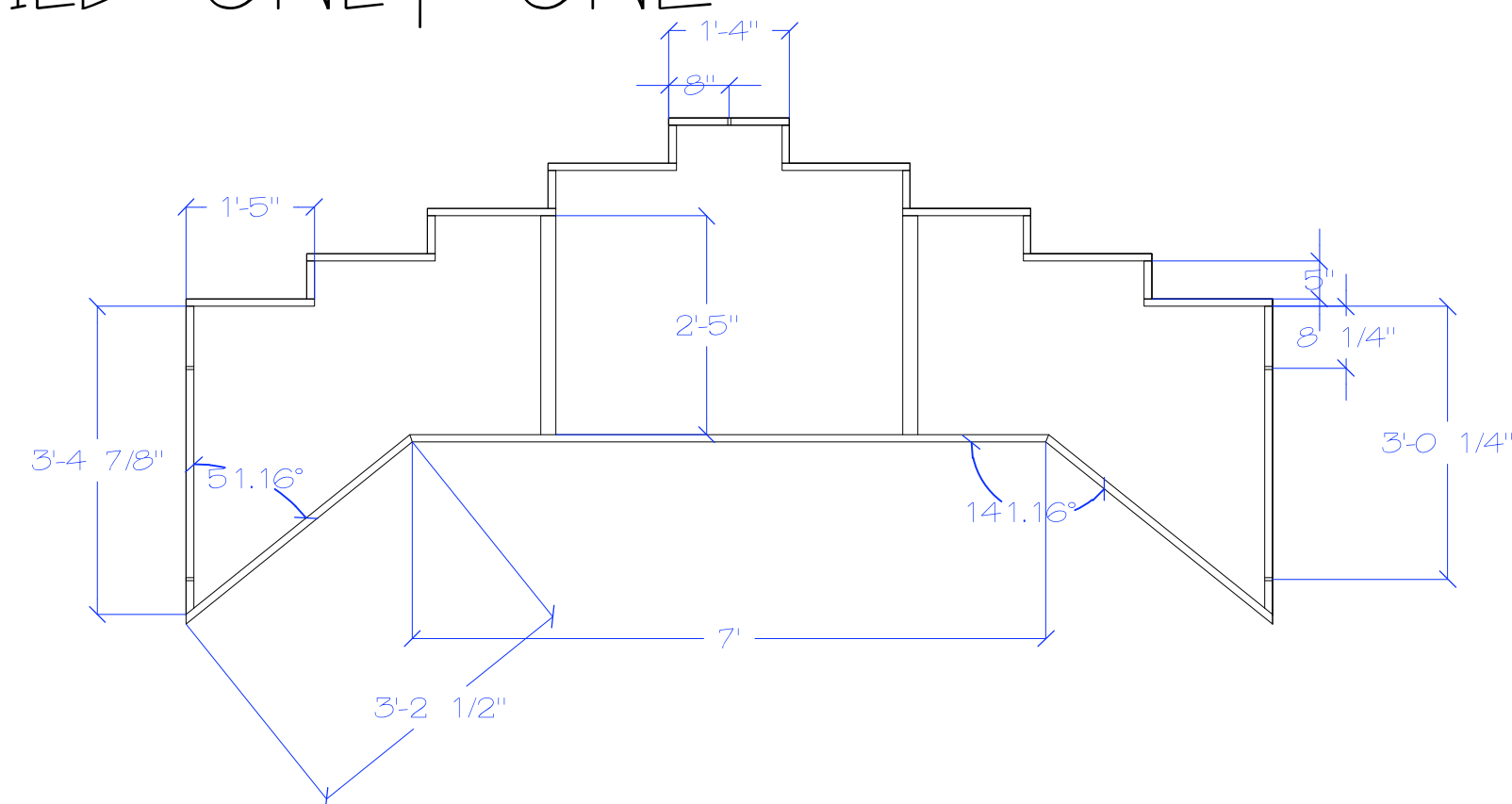


BUILD ONLY ONE



- Build with 1x1 and 2x1 tube steel
- Drill holes before assembly
- Reverse and repeat all except where noted.

WMU THEATRE	
The Rocky Horror Show	
Directed by: Jay Berkow	
Designed by: Greg Roehrick	
Date: 09-25-11	Rev. Date:
Drawn by: Angie McMahon	
Scale: 0'- 1/2" = 1'	