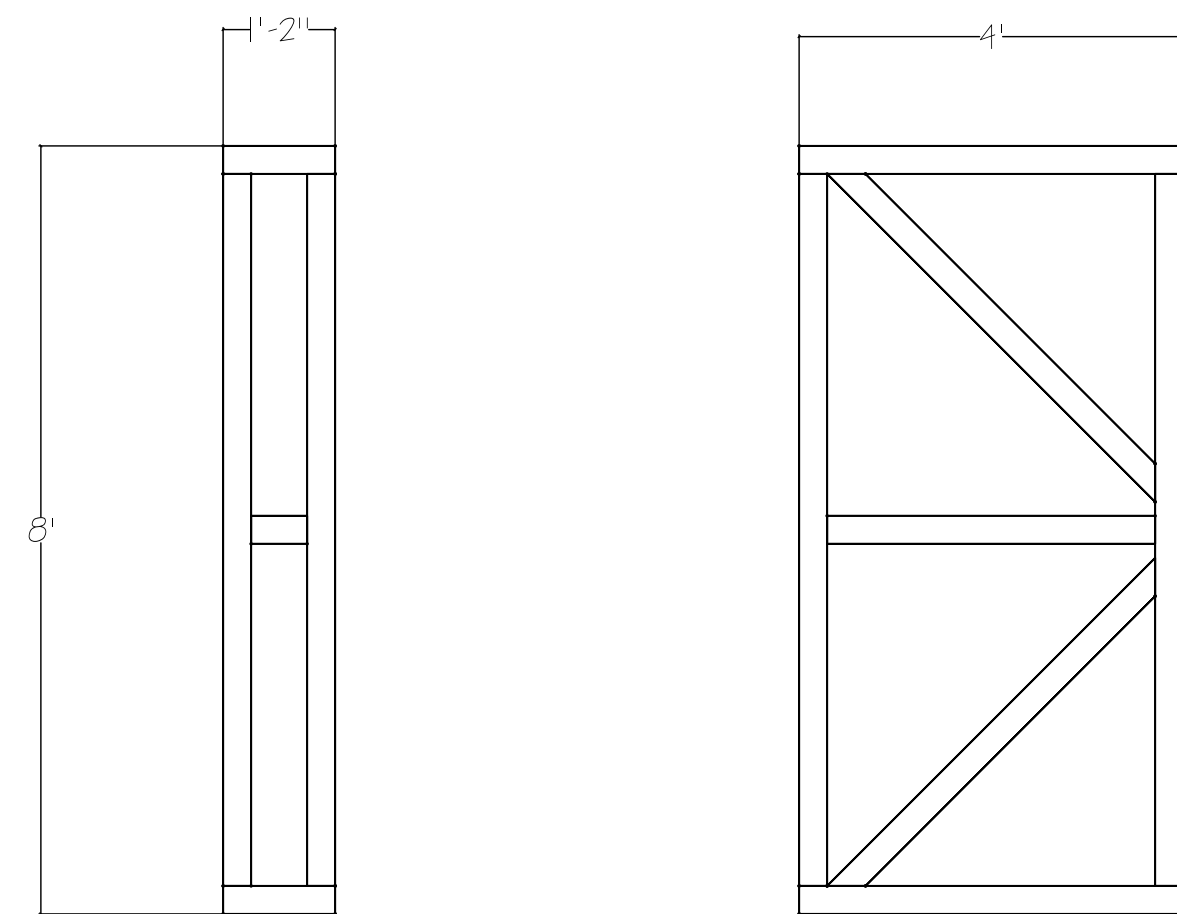
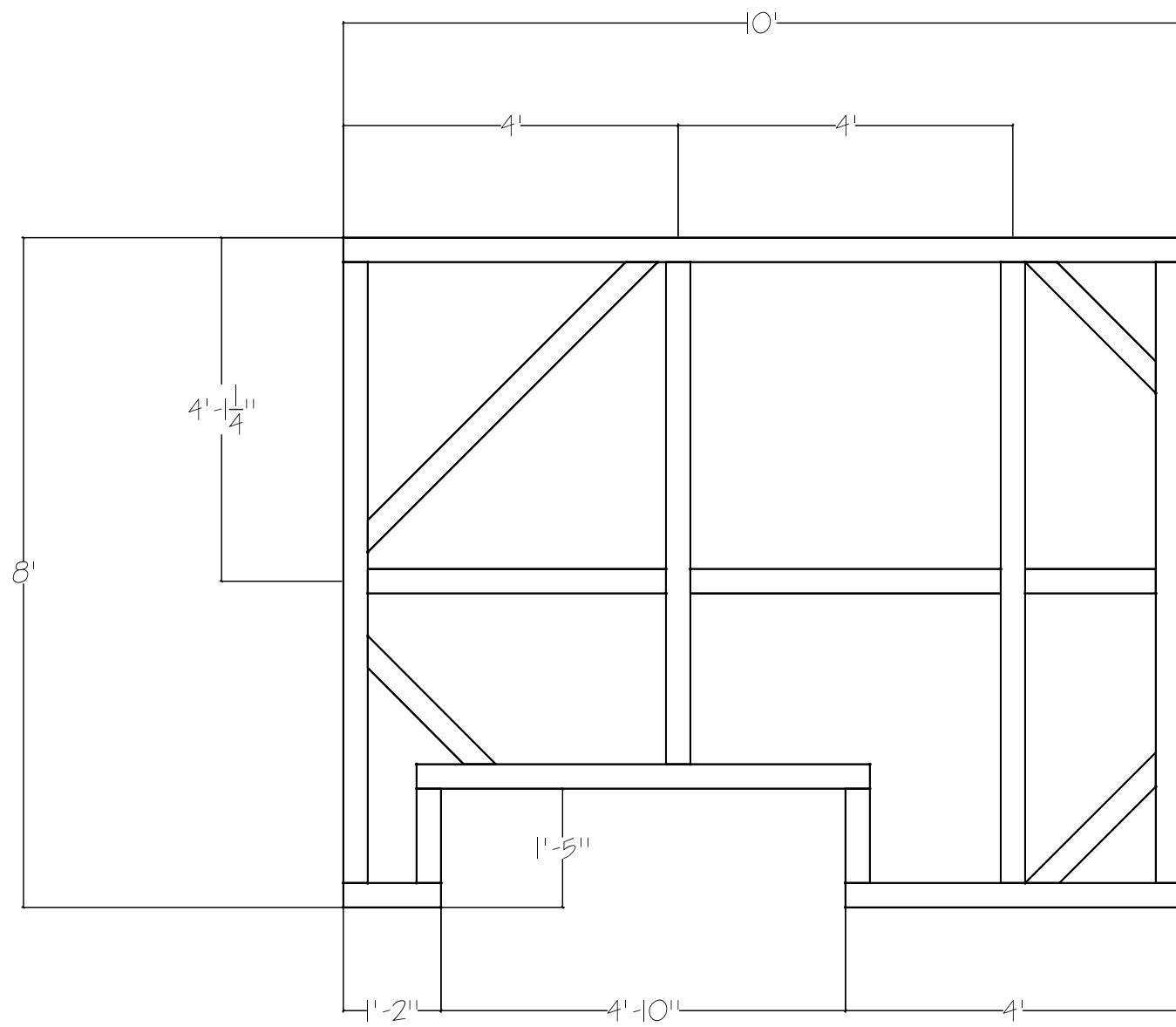
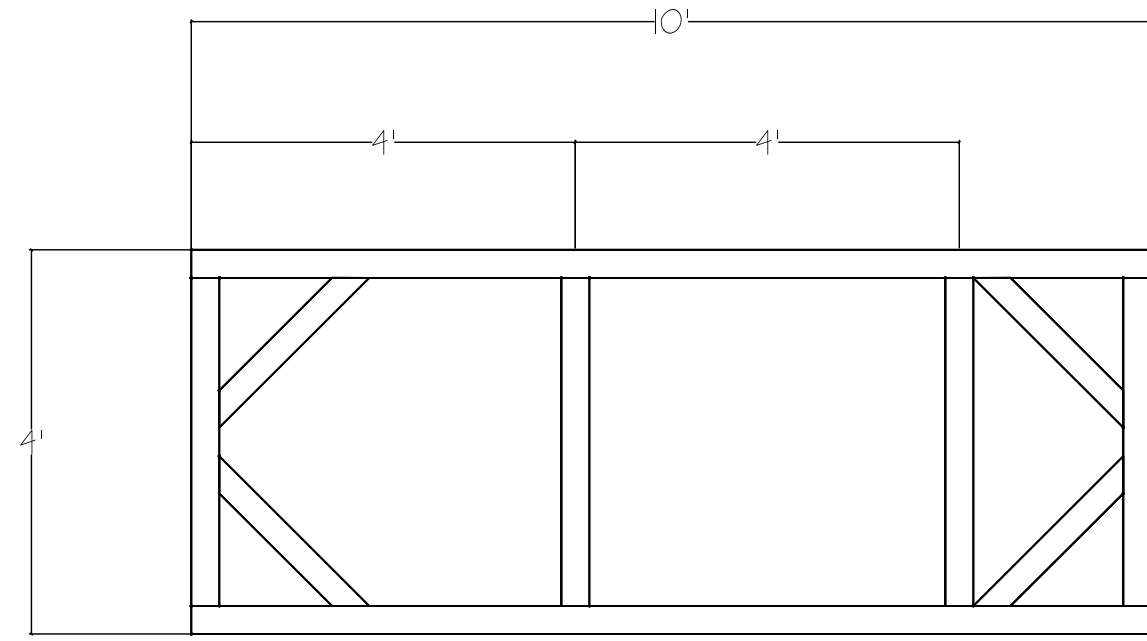
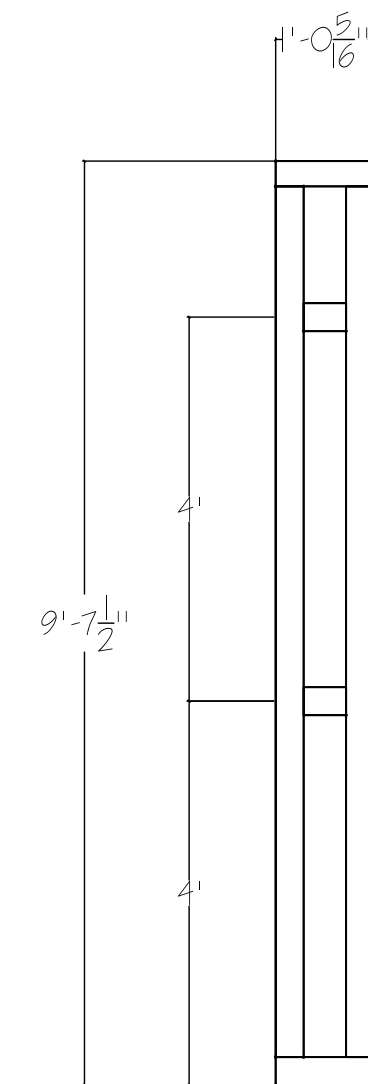
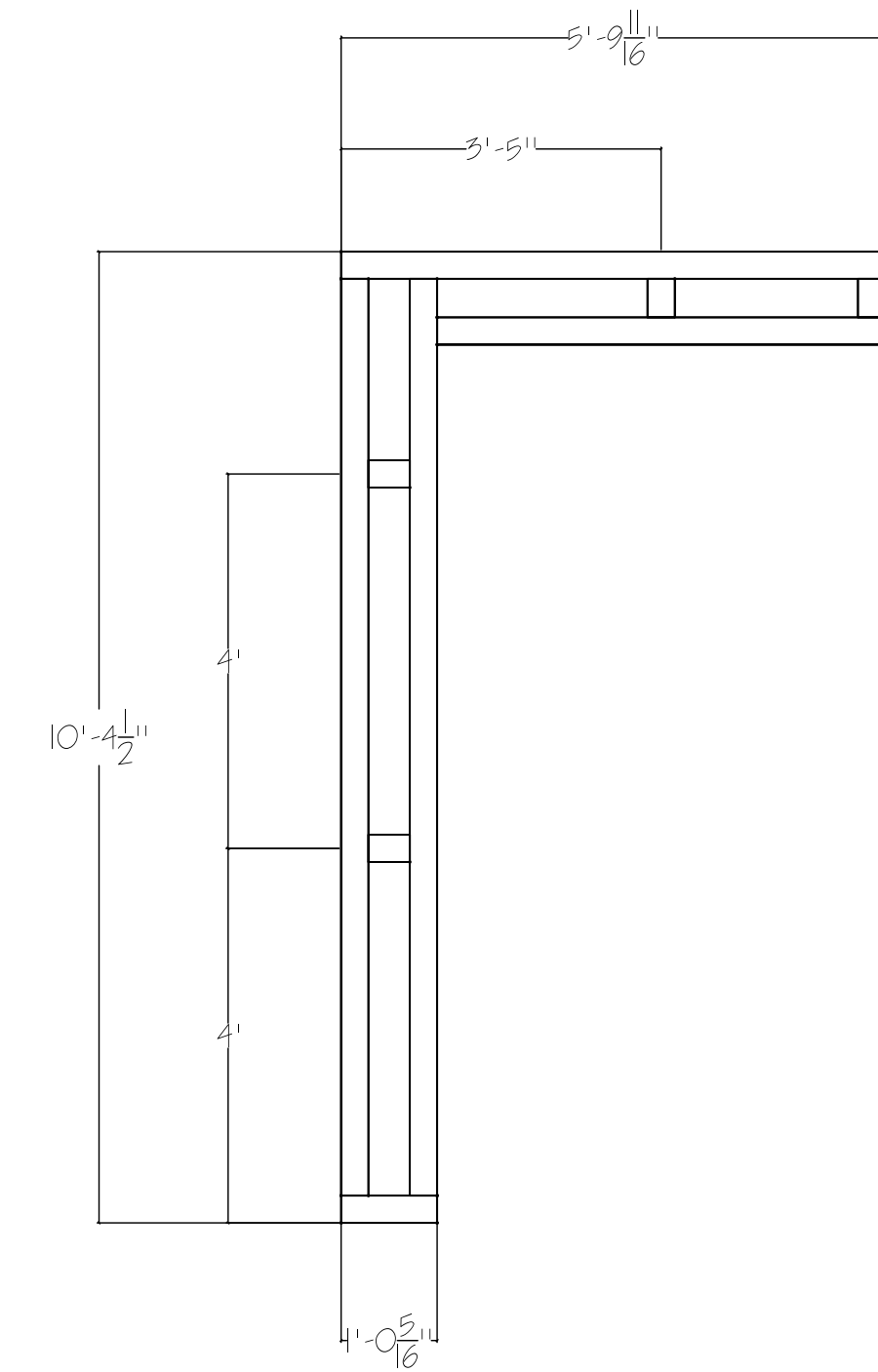


BUILD 2 of Each



Build 2 Each
REVERSE AND
REPEAT



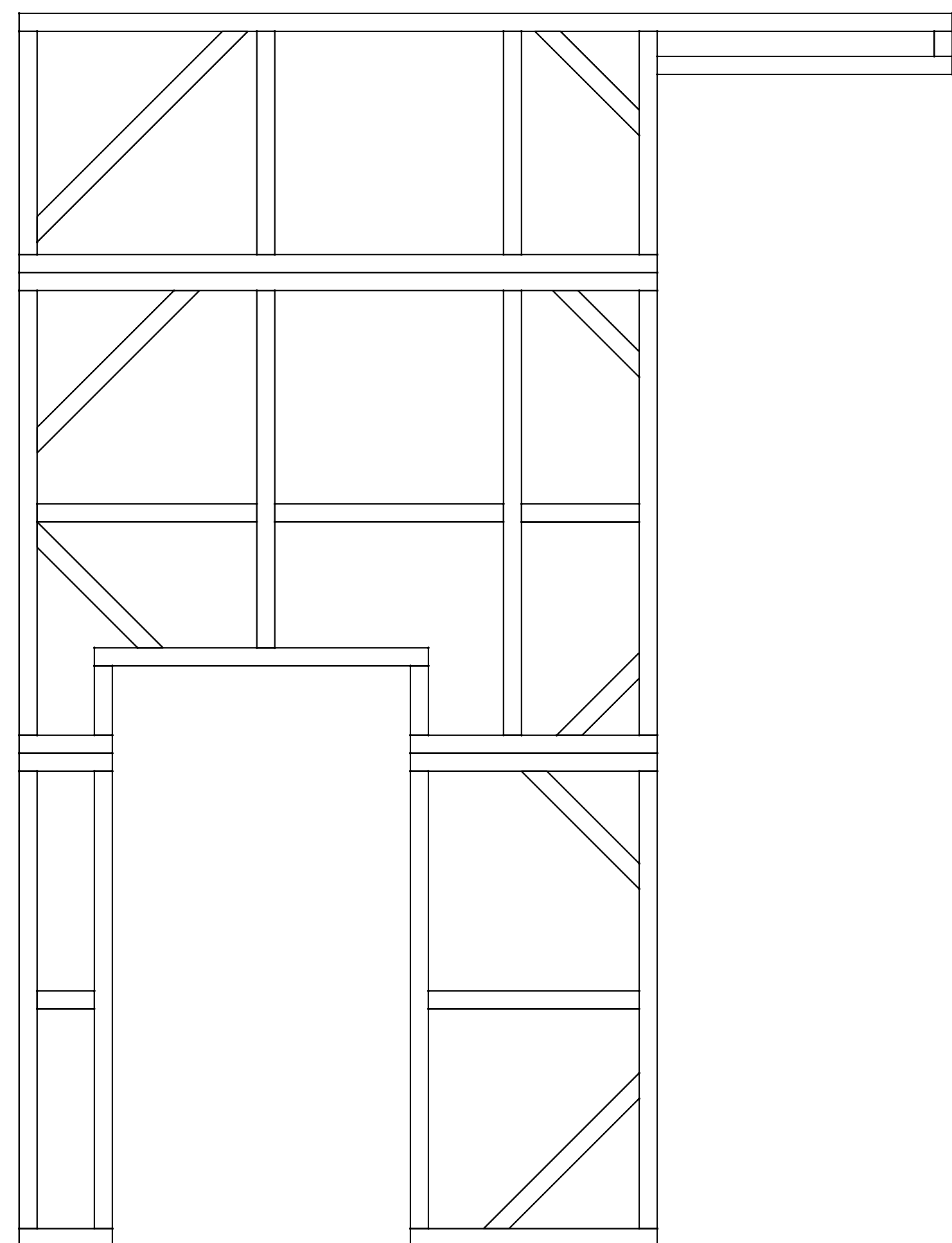
Notes:

- Build with 1 x 4
- All angle cuts are 45° and CTF
- Use 1/2" scrap for cornerblocks and keystone as necessary
- See Mid Wall plates for arch ply
- Flats must be jugged square to build
- Stiffener boards will be added later

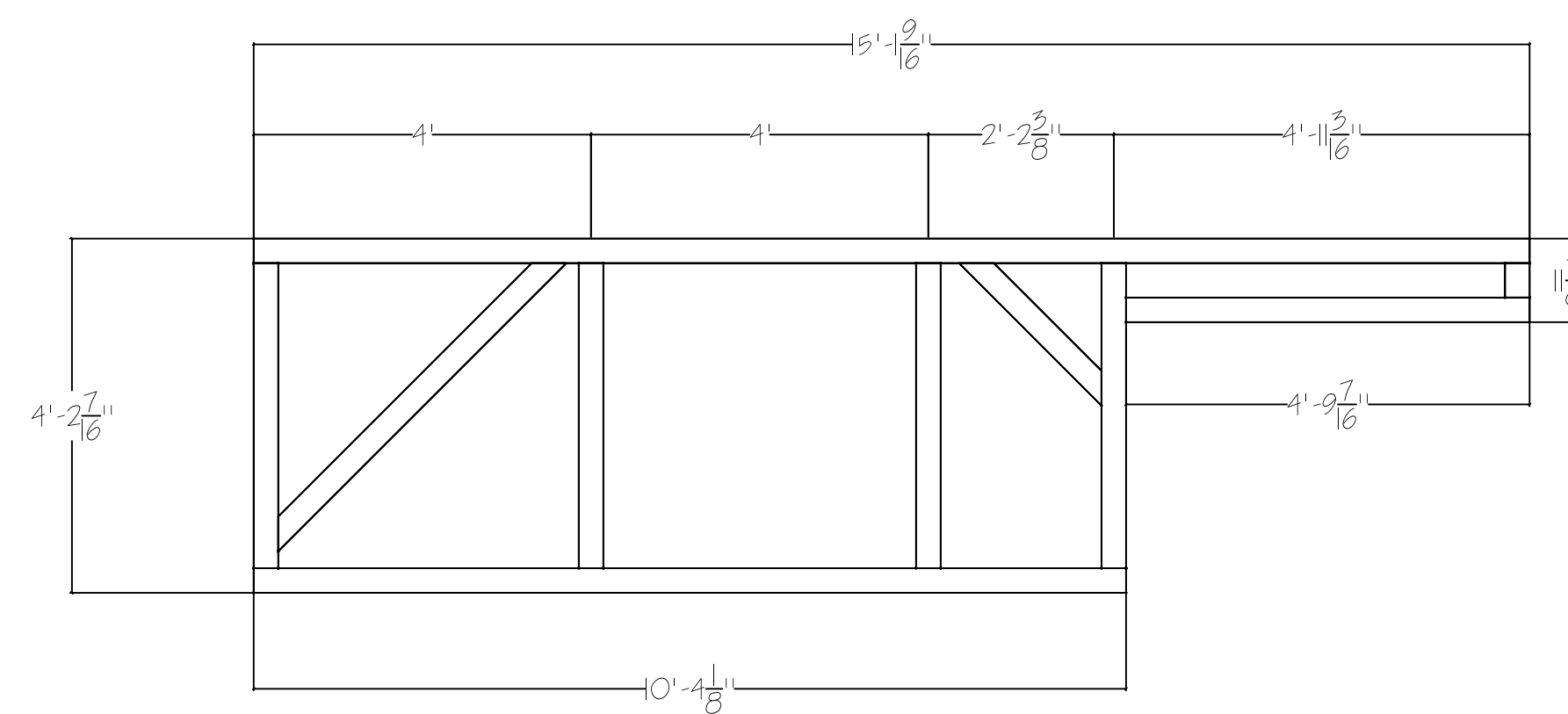
WMU THEATRE		
The Three Musketeers		
Directed by: D Terry Williams		
Designed by: Trevor Frederiksen		
Date:	08-27-12	Rev. Date:
Drawn by:	Araze McMahon	
Scale:	0'-1/2" = 1'	

3

Front Wall SR

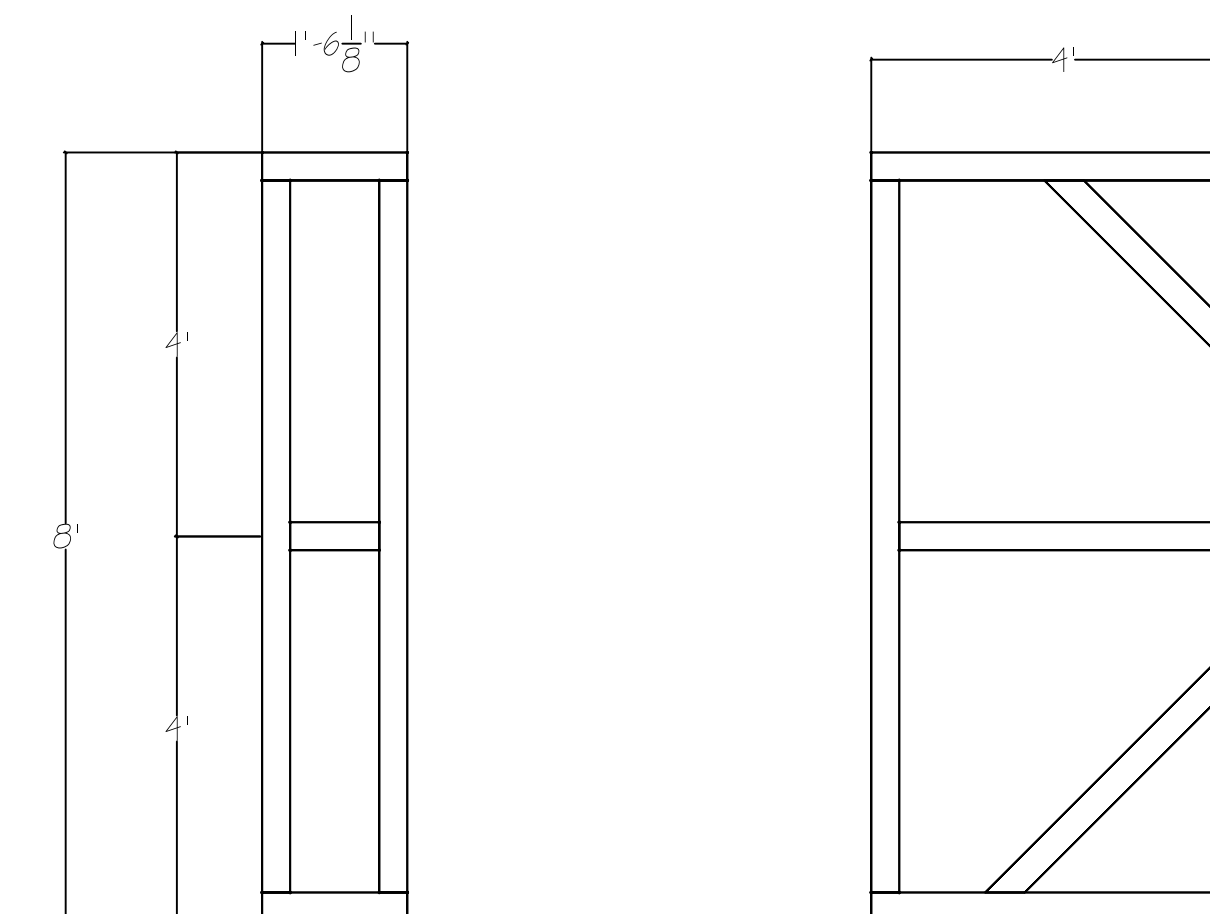
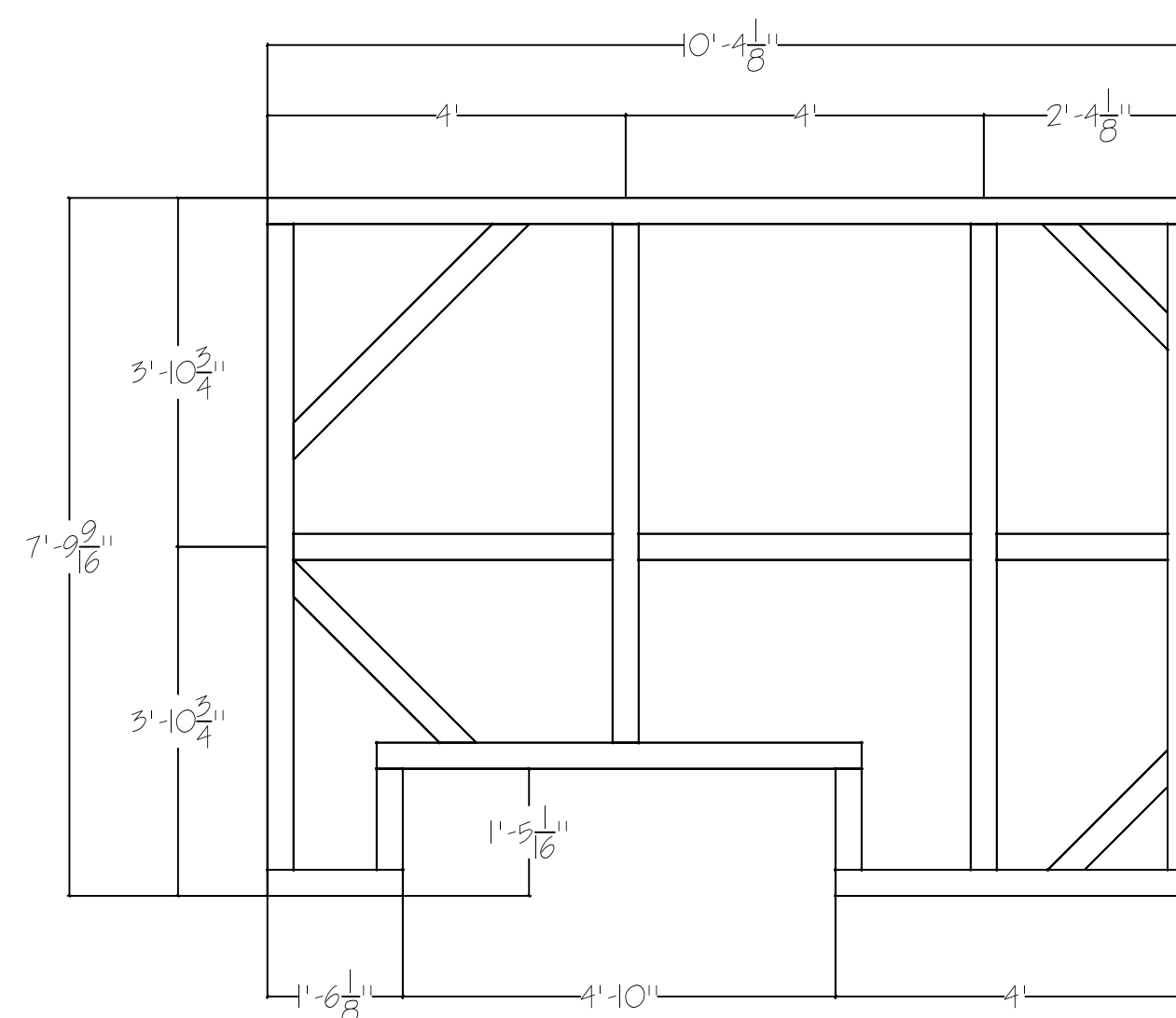


BUILD 2 REVERSE AND REPEAT



BUILD ONE

BUILD ONE

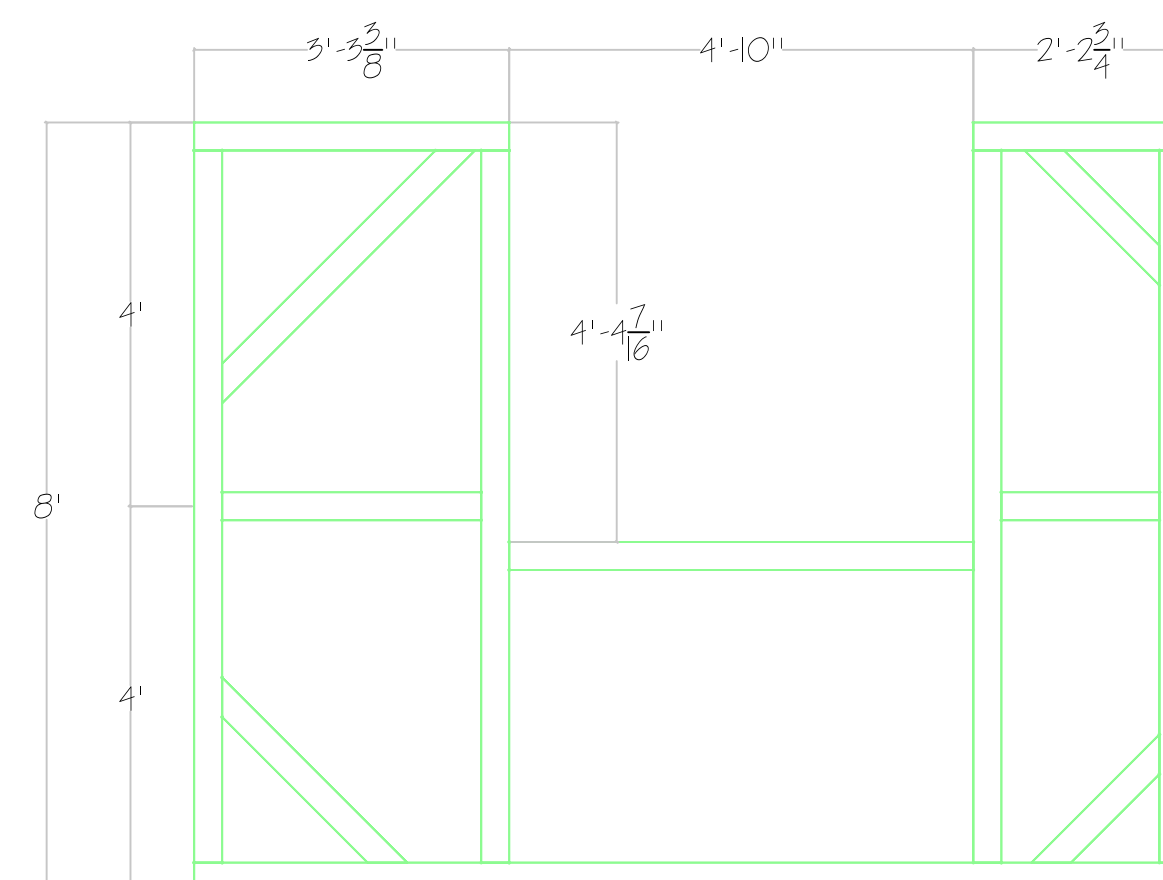
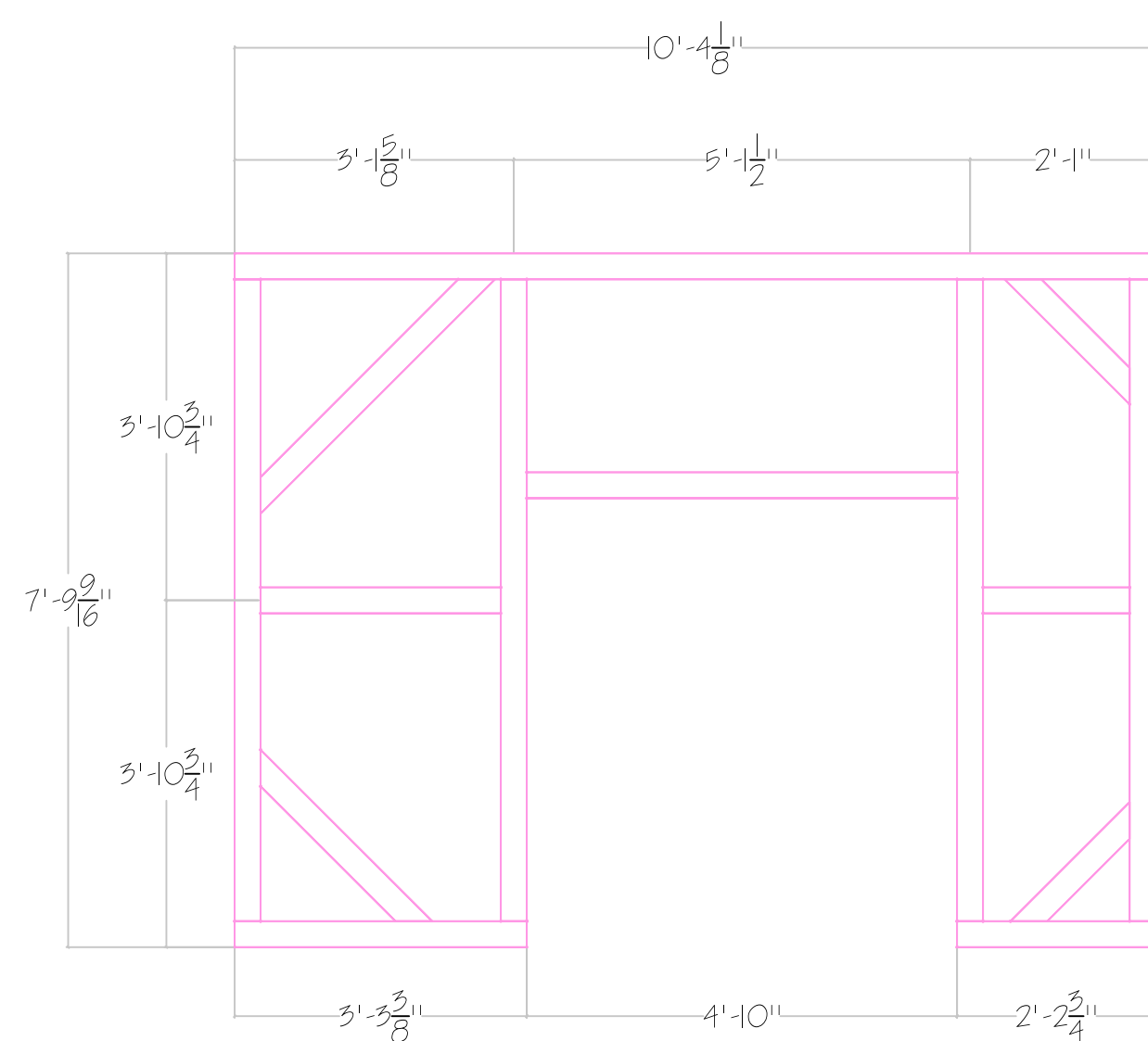
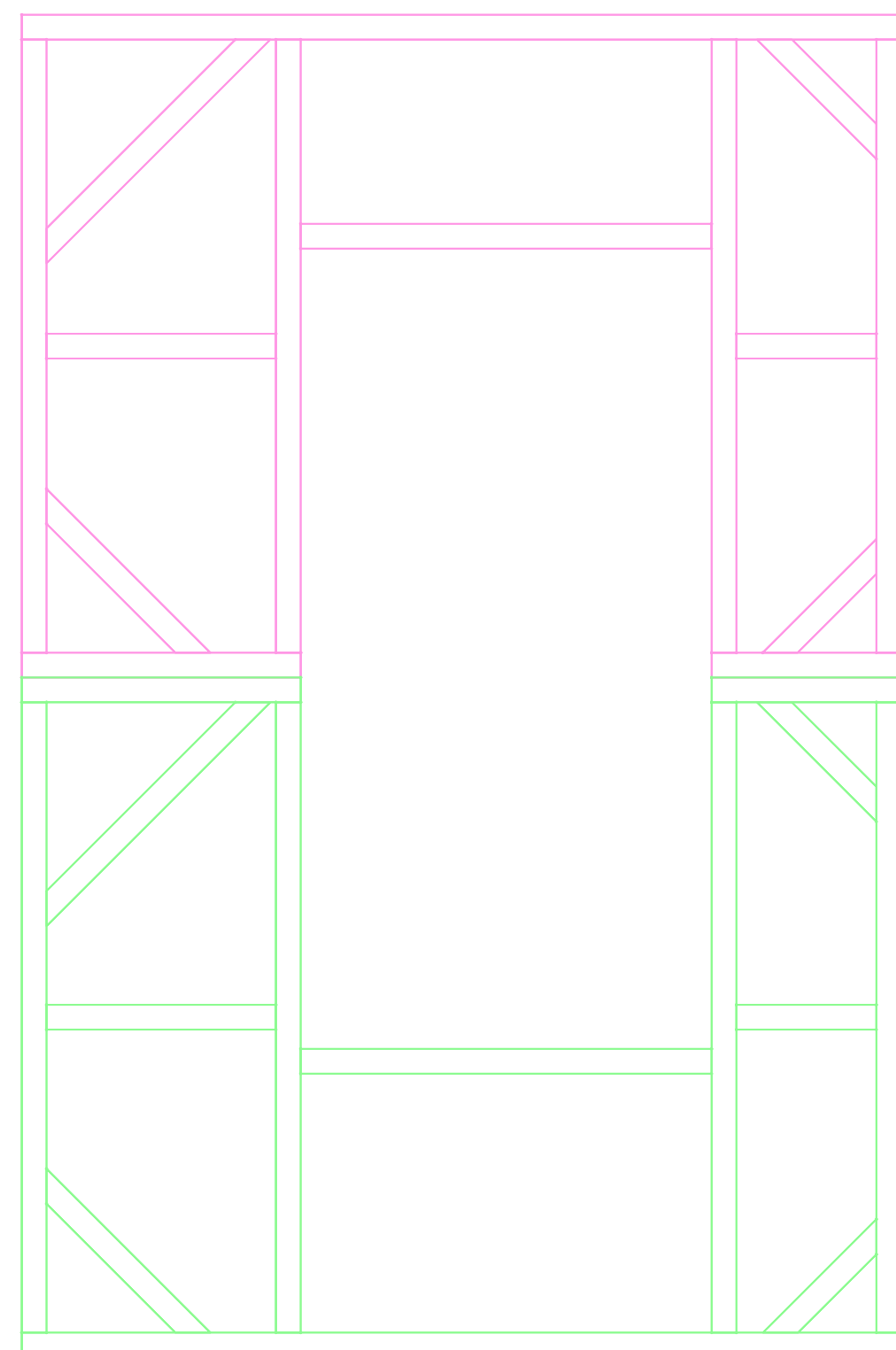


Notes:

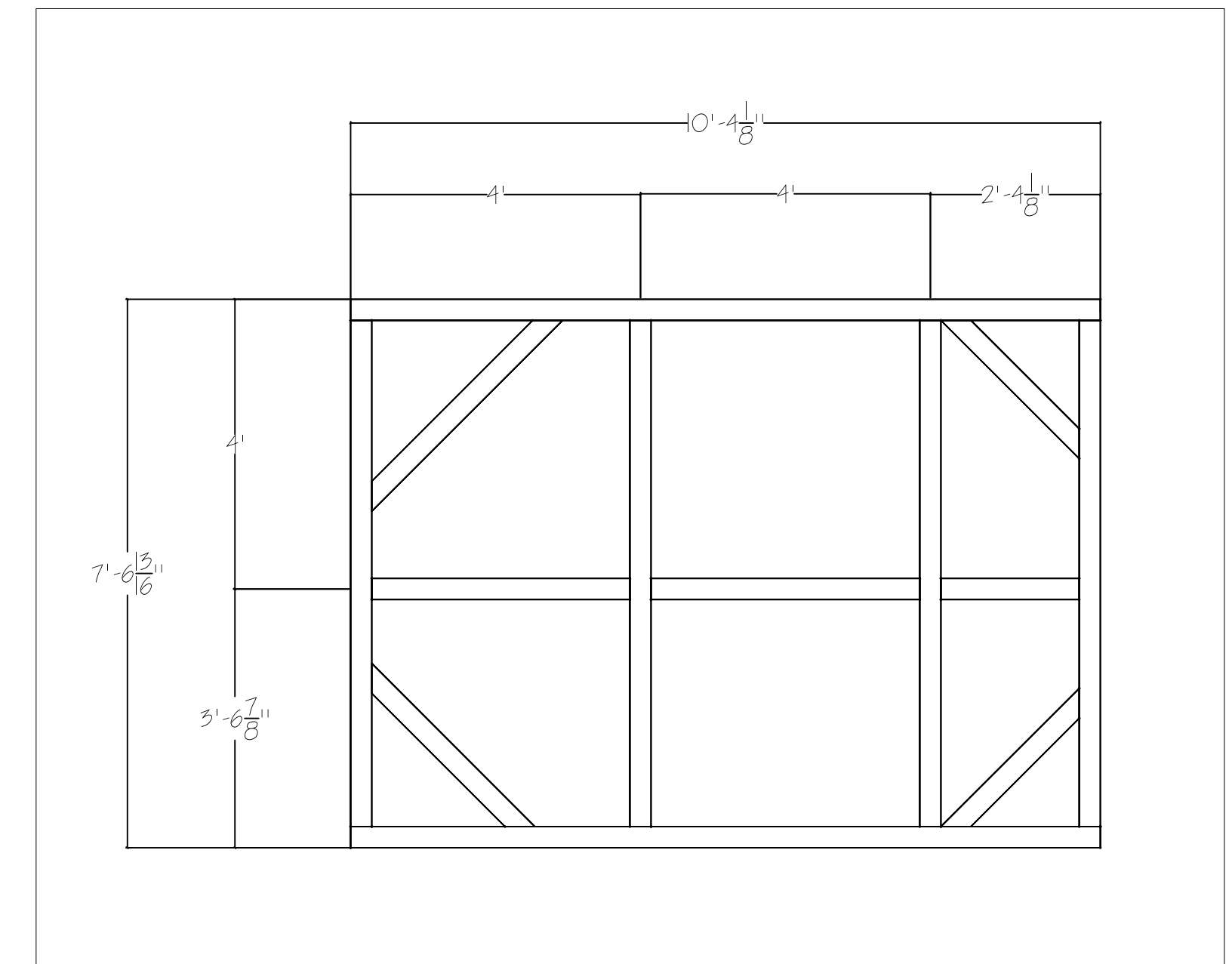
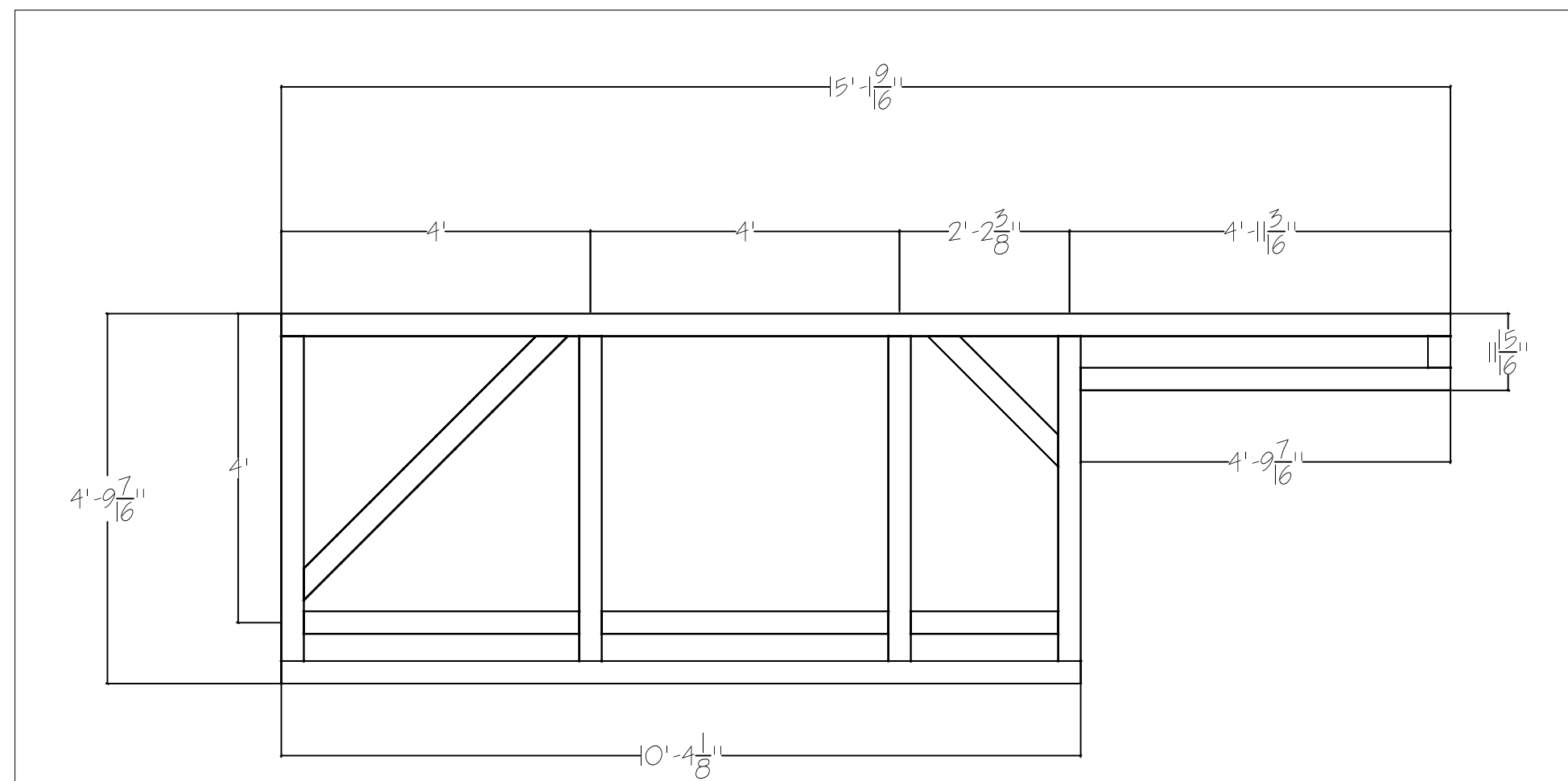
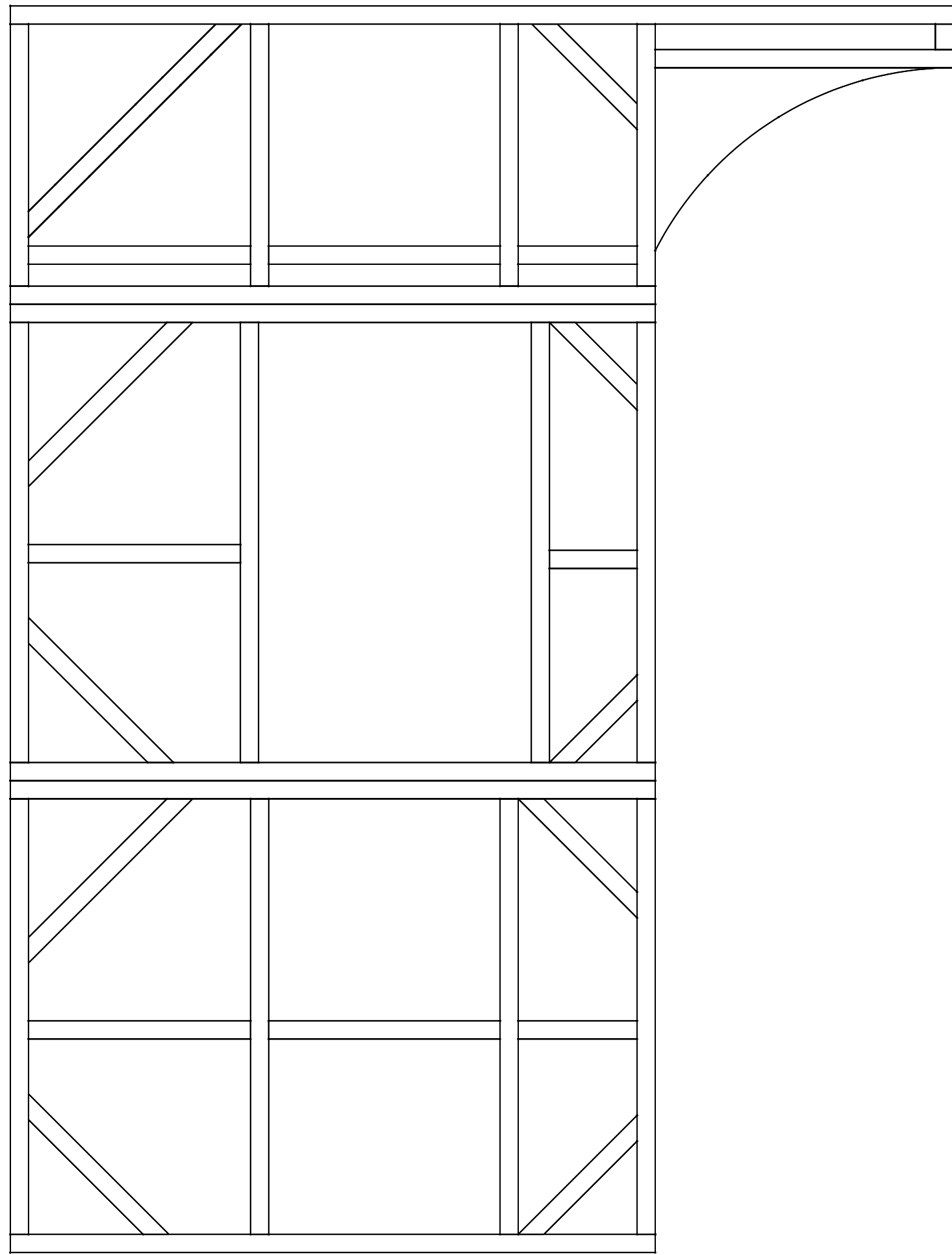
- Build with 1 x 4
- All angle cuts are 45° and CTF
- Use 1/2" scrap for cornerblocks and keystones as necessary
- Flats must be jiqged square to build
- Stiffener boards will be added later

WMU THEATRE		
The Three Musketeers		
Directed by: D Terry Williams		
Designed by: Trevor Frederiksen		
Date:	08-29-12	Rev. Date:
Drawn by:	Araze McMahon	
Scale: 0'-1/2" = 1'		

5

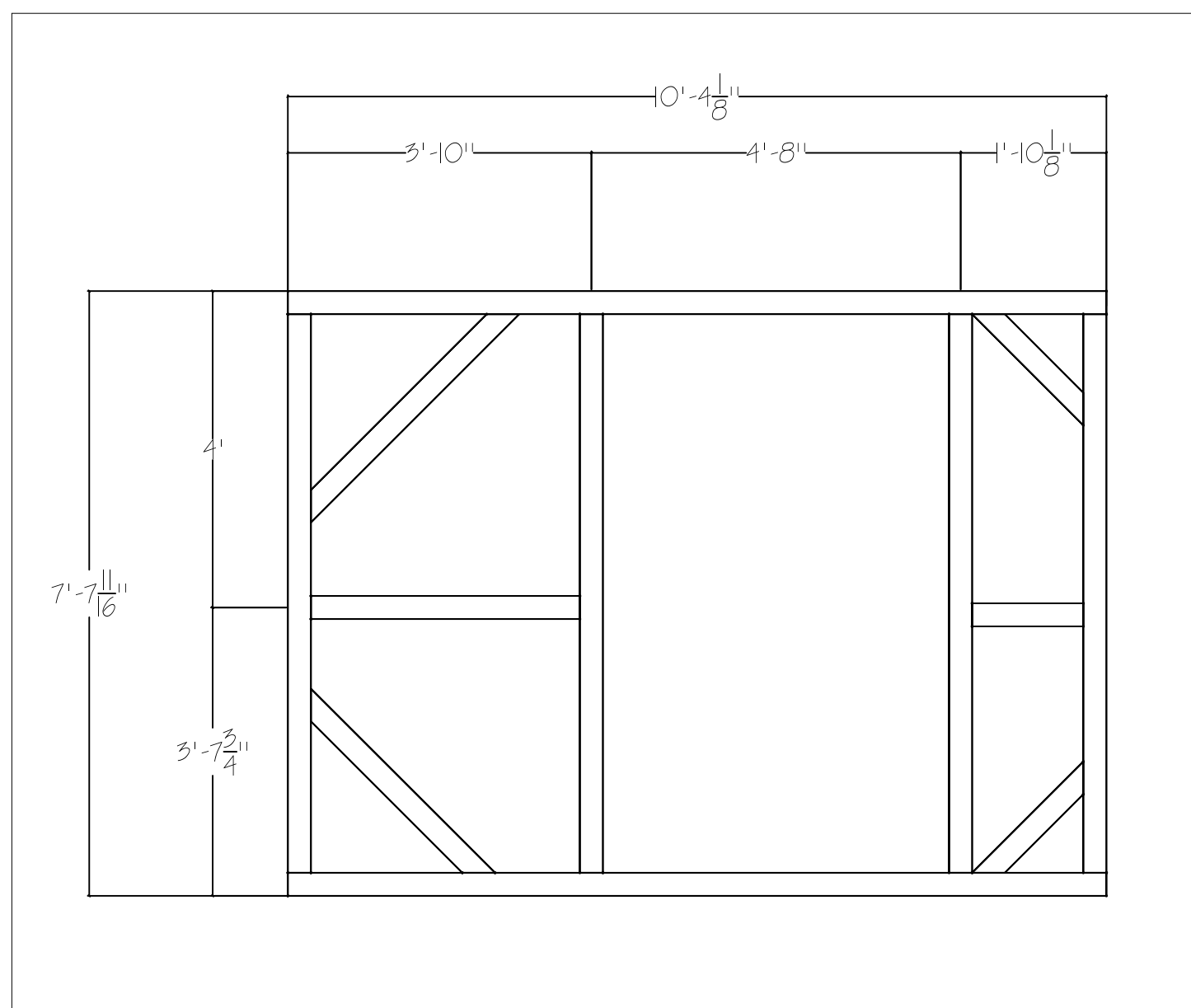


WMU THEATRE		
The Three Musketeers		
Directed by: D Terry Williams		
Designed by: Trevor Frederiksen		
6	Date:	08-29-12
	Drawn by:	Anjie McMahon
	Scale:	0'-1/2" = 1'

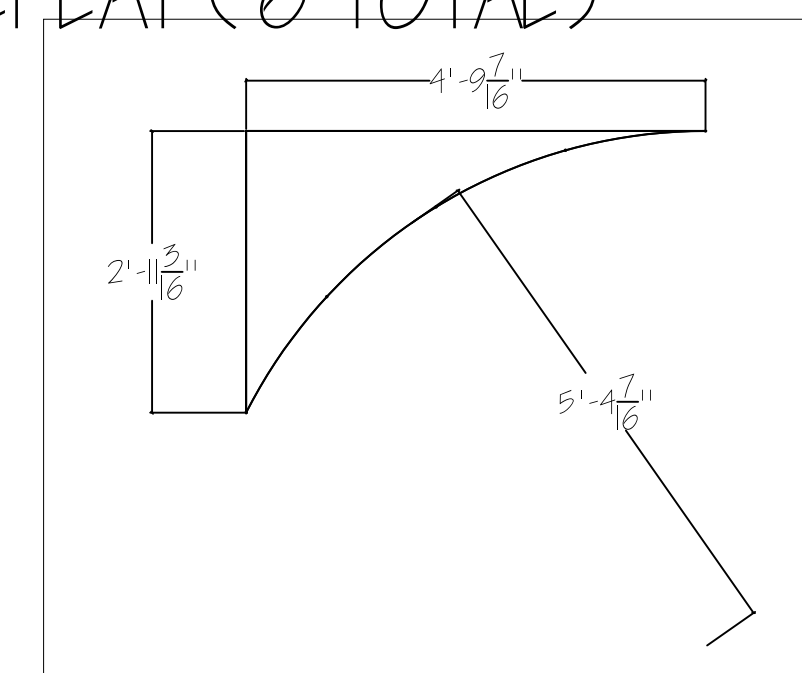


Notes:

- Build with 1 x 4
- Reverse and repeat all flats
- All angle cuts are 45° and CTF
- Use 1/2" scrap for cornerblocks and keystones as necessary
- Flats must be jugged square to build
- Stiffener boards will be added later



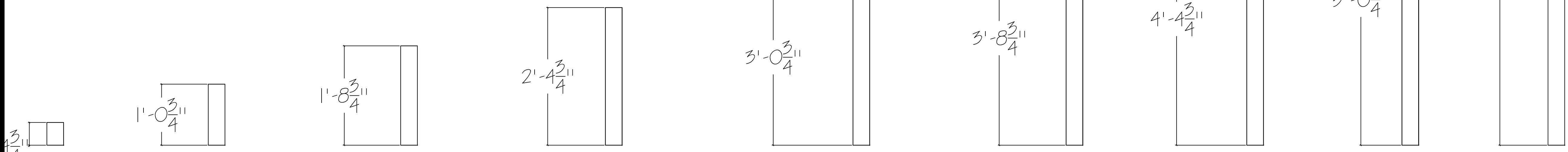
Build with 3/4" ply
 BUILD 3 SETS- REVERSE AND REPEAT (6 TOTAL)



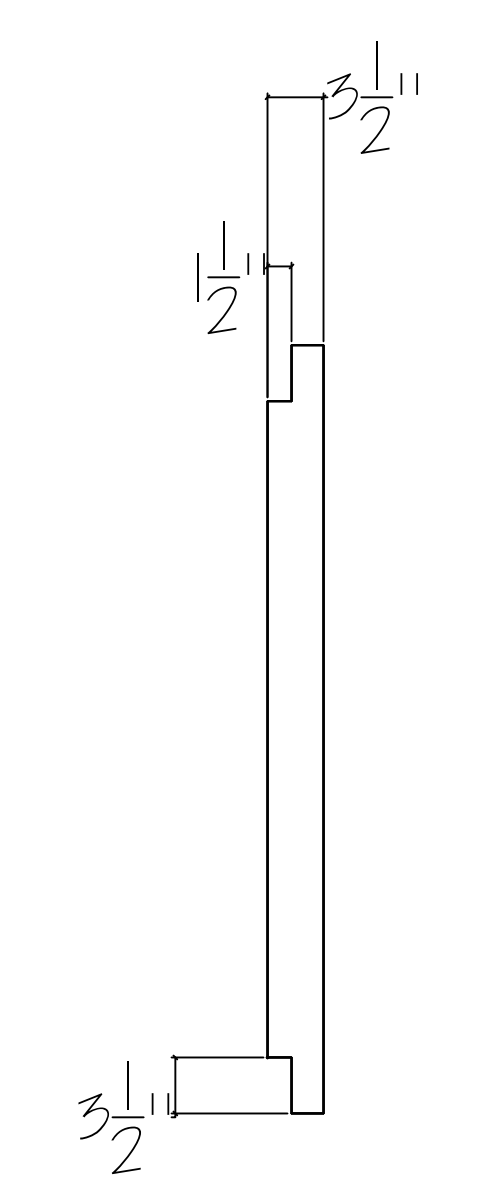
WMU THEATRE	
The Three Musketeers	
Directed by: D Terry Williams	
Designed by: Trevor Frederiksen	
Date: 08-29-12	Rev. Date:
Drawn by: Anze McMahon	
Scale: 0'-1/2" = 1'	

4

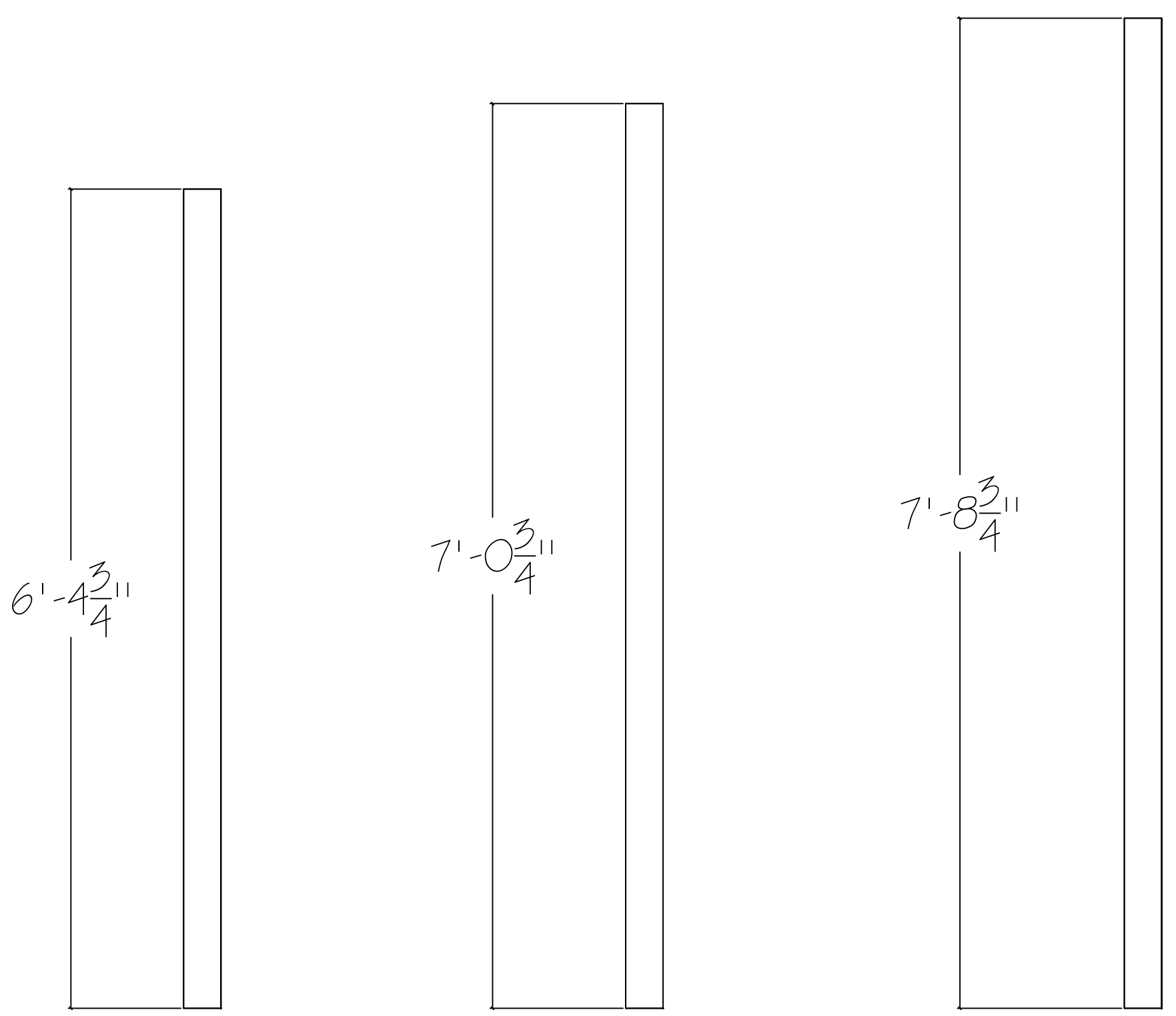
Stair Legs: 2x4
 Cut 2 of each EXCEPT:
 Cut 4 @ 2' 4 3/4"
 Cut 4 @ 5' 0 3/4"



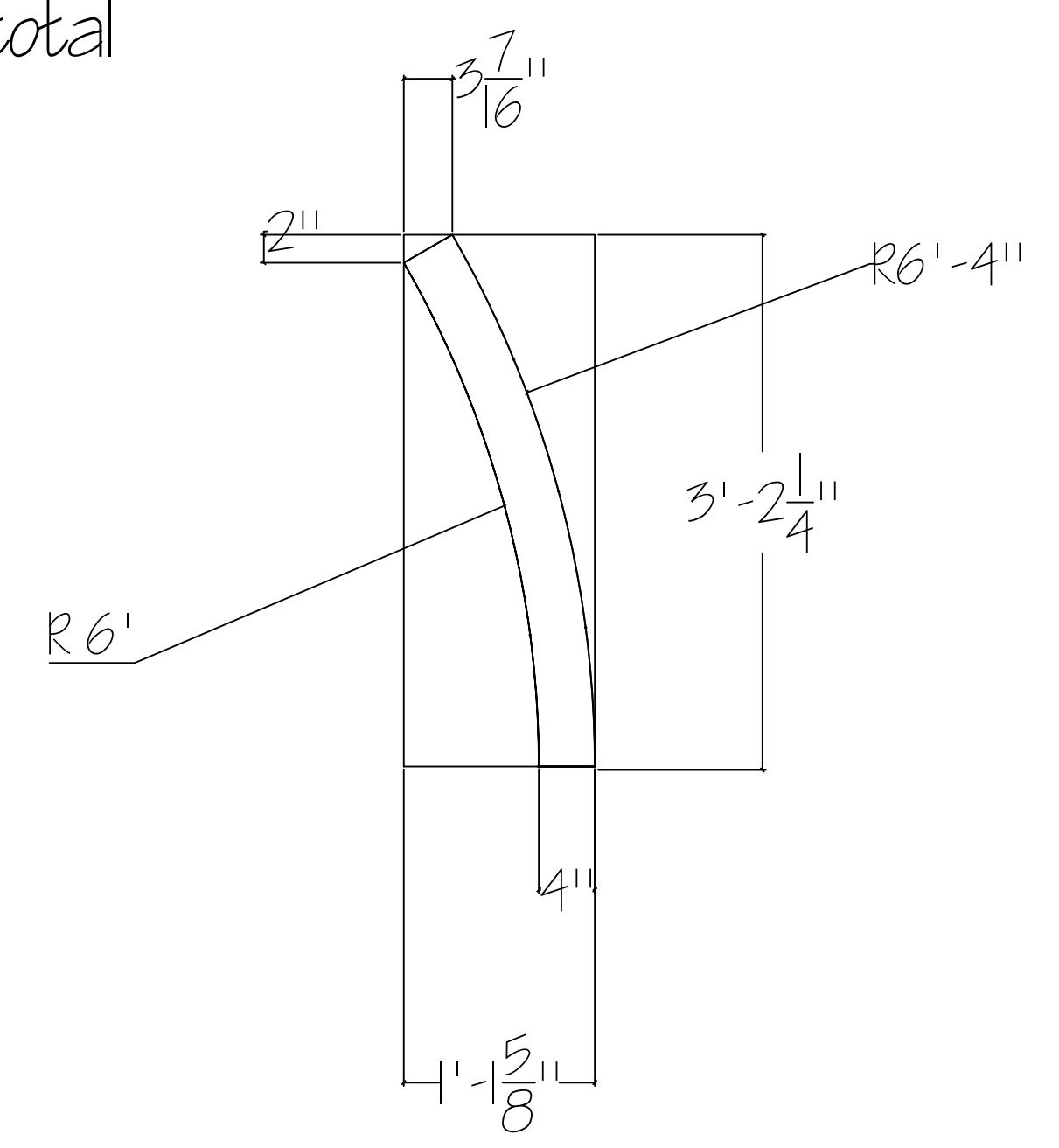
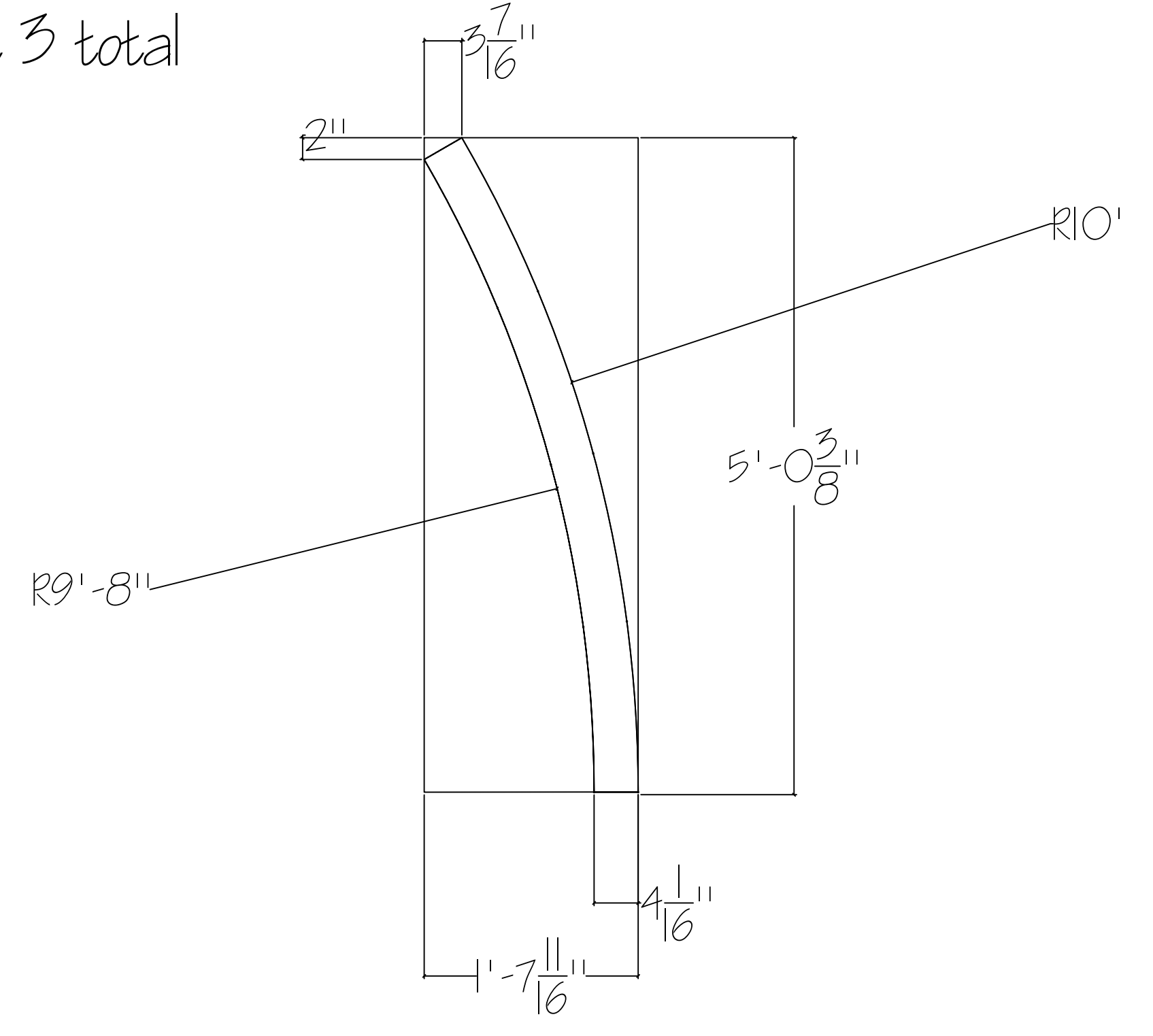
Stair Tread Supports: 1x4
 Cut 24 Total



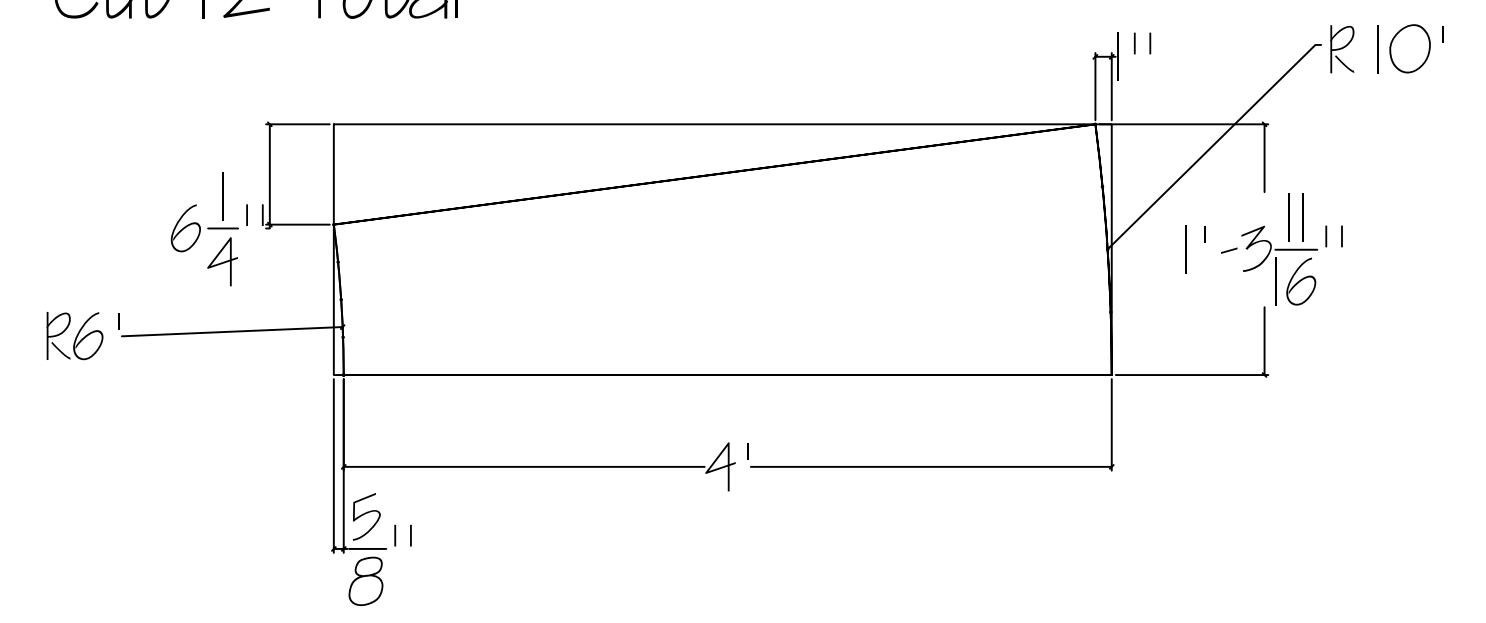
Stair Bottom Plate Outside: 3/4" ply
 Cut 3 total



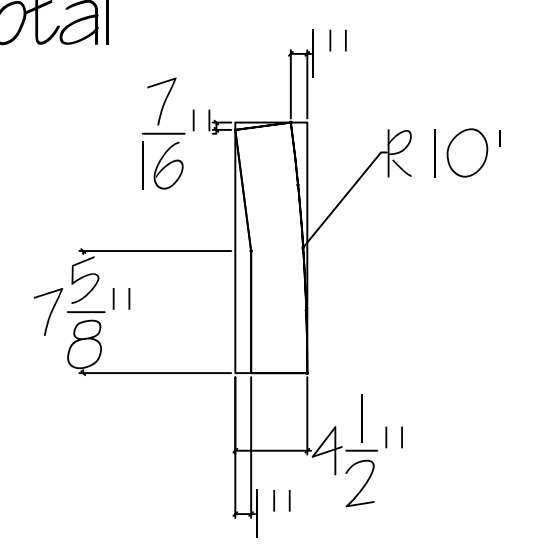
Stair Bottom Plate Inside: 3/4" ply
 Cut 3 total



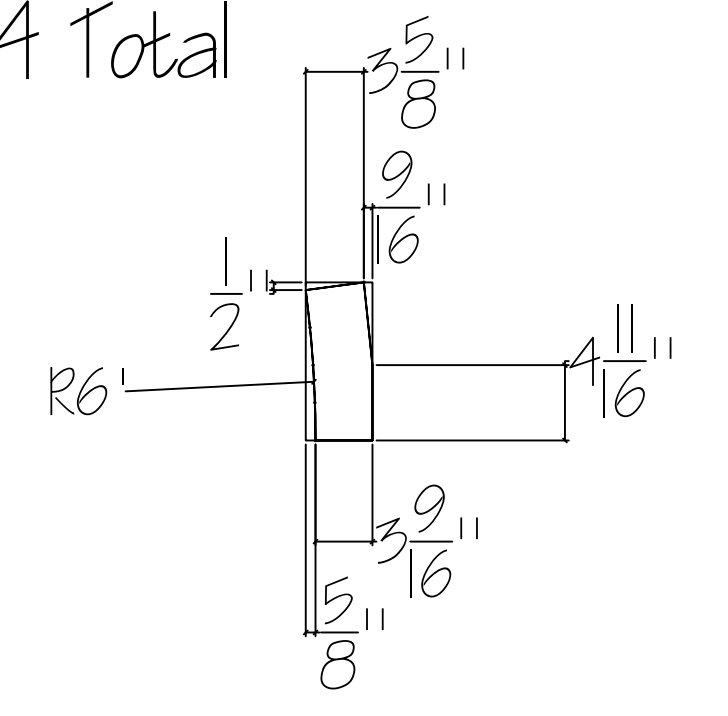
Stair Treads: 3/4" ply
 Cut 12 Total



Top Plate Outside: 3/4" ply
 Cut 24 Total



Top Plate Inside: 3/4" ply
 Cut 24 Total

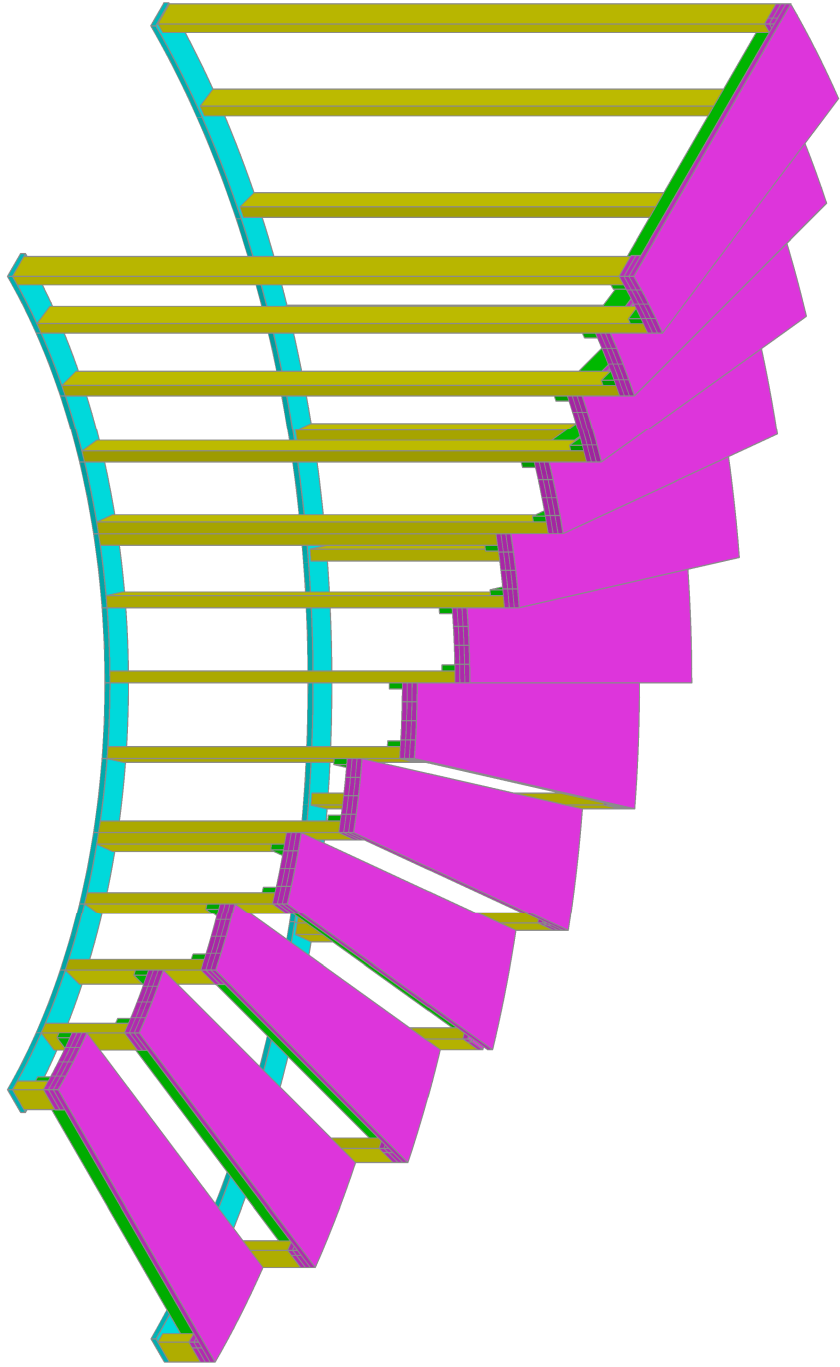


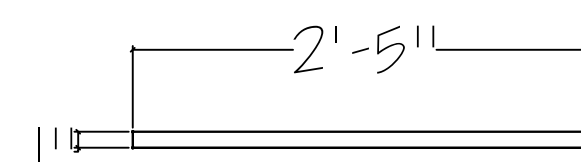
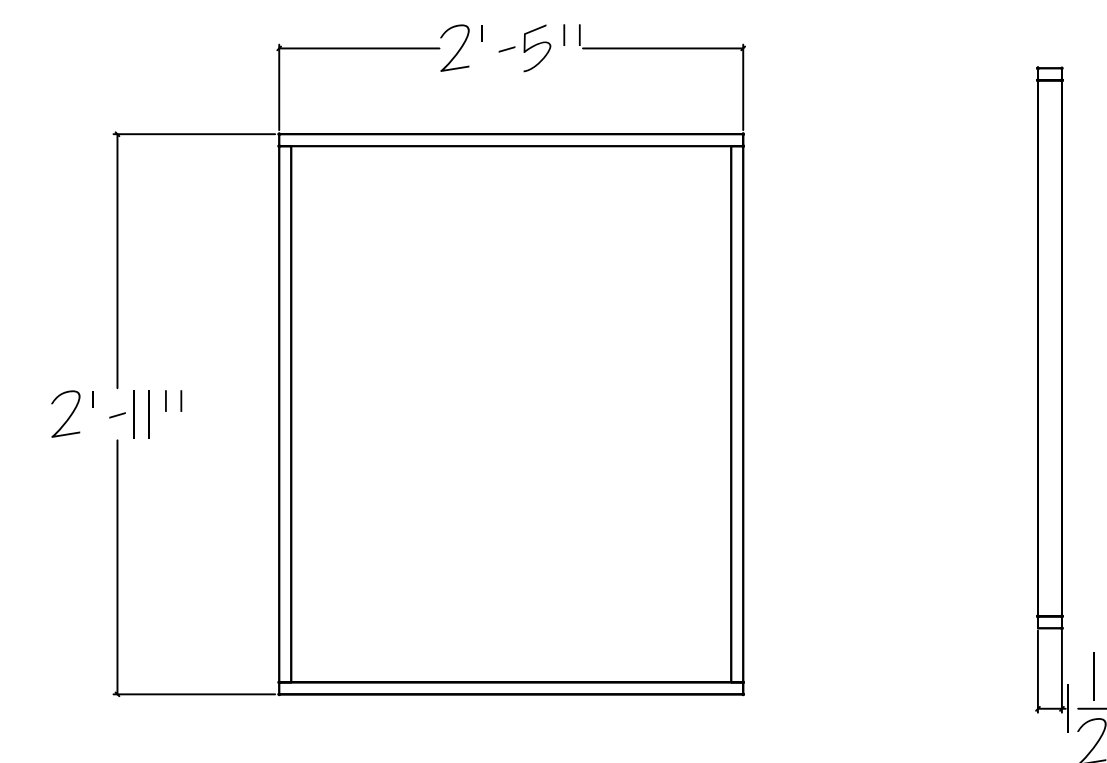
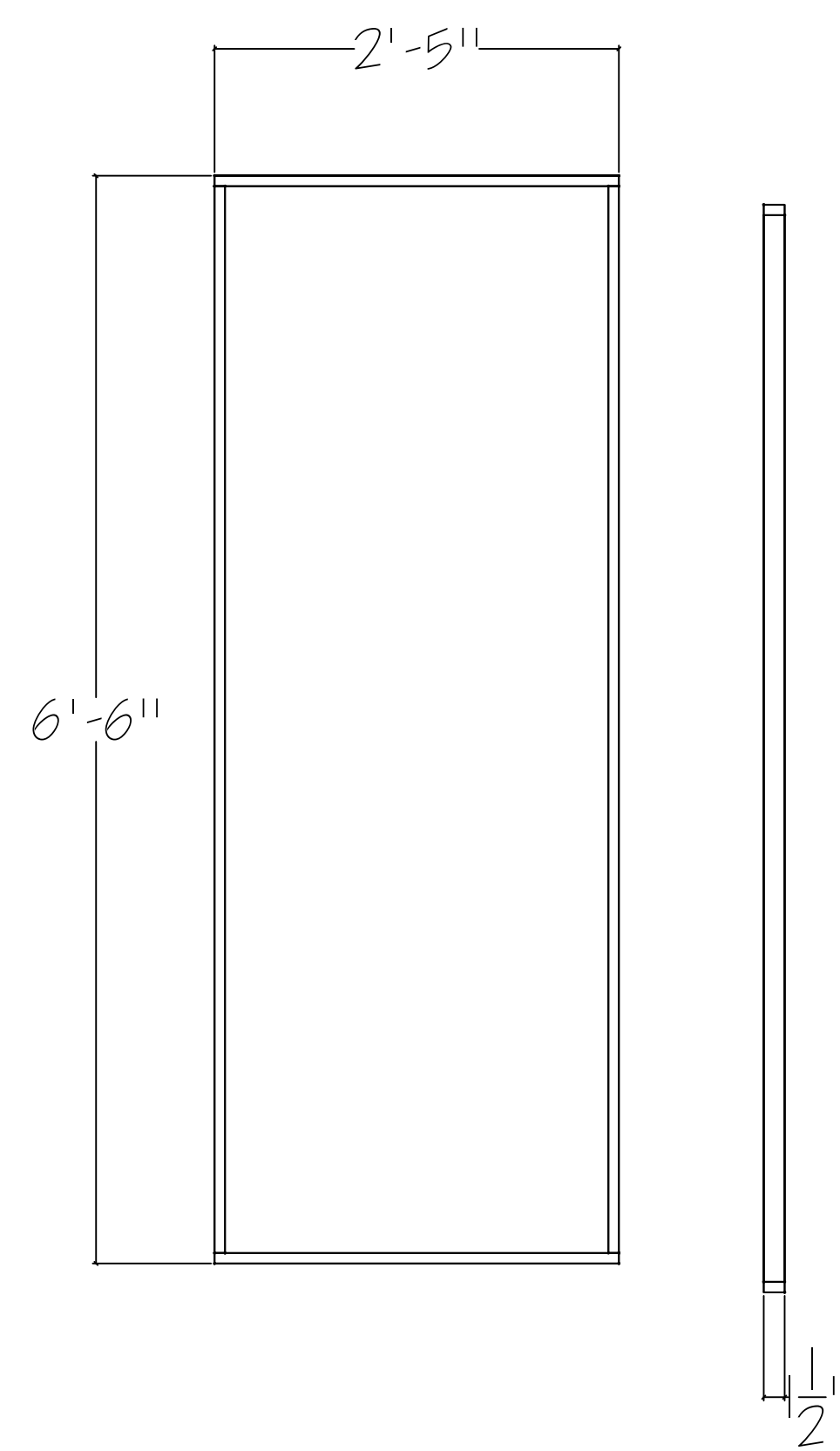
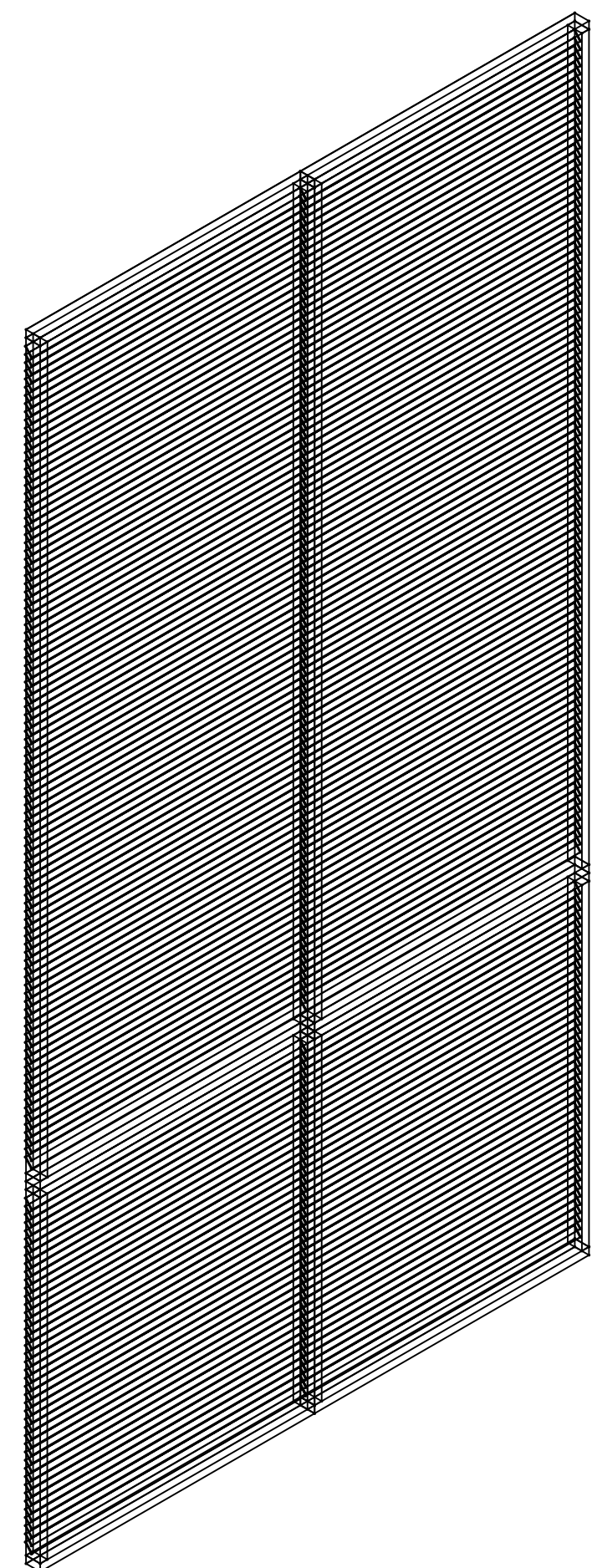
Stairs Parts List

See notes listed by
 each individual part

WMLU THEATRE	
The Three Musketeers	
Directed by: D Terry Williams	
Designed by: Trevor Frederiksen	
Date: 09-09-12	Rev. Date:
Drawn by: Anise McNealon	
Scale: 0' - 1/2" = 1'	

8





WMU THEATRE		
The Three Musketeers		
Directed by: D Terry Williams		
Designed by: Trevor Frederiksen		
7	Date:	08-29-12
	Rev. Date:	
Drawn by: Anique McMahon		
Scale: 0'-1/2" = 1'		